



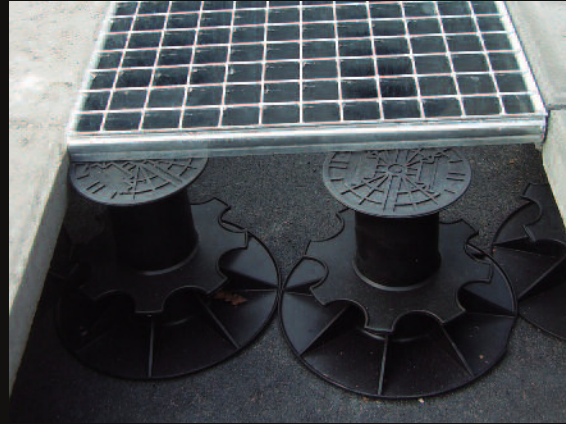
Adjustable support for tiles
with extension piece F35



Adjustable support for wooden terraces

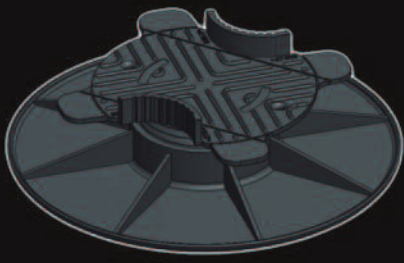


Adjustable support for wooden terraces



Adjustable support for metal grates

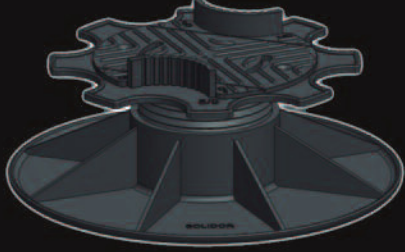




PV3/5/CP+



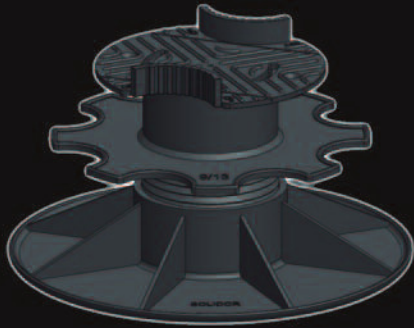
PV11/15+CP+



PV5/9+CP+



PV15/19+CP+

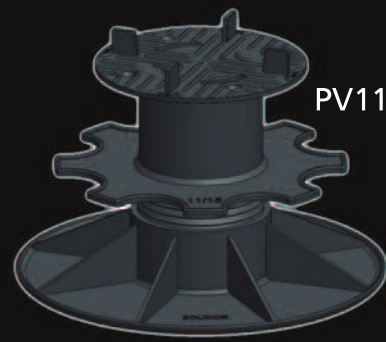


PV9/13+CP+

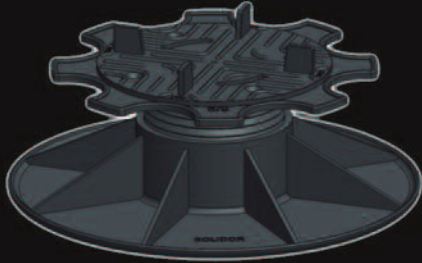




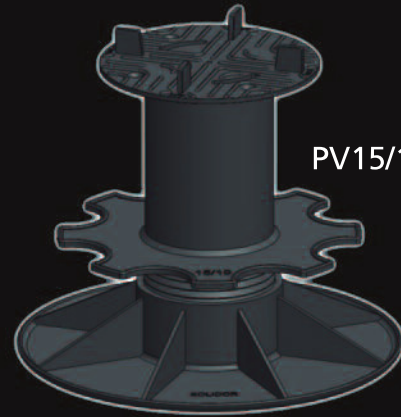
PV3/5/C3/4T



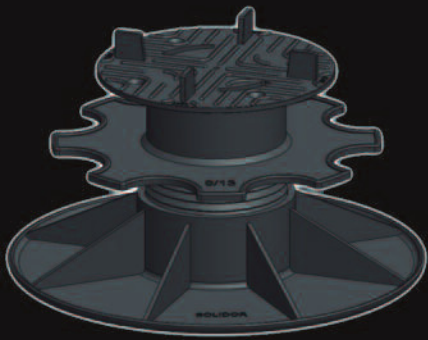
PV11/15+C3/4T



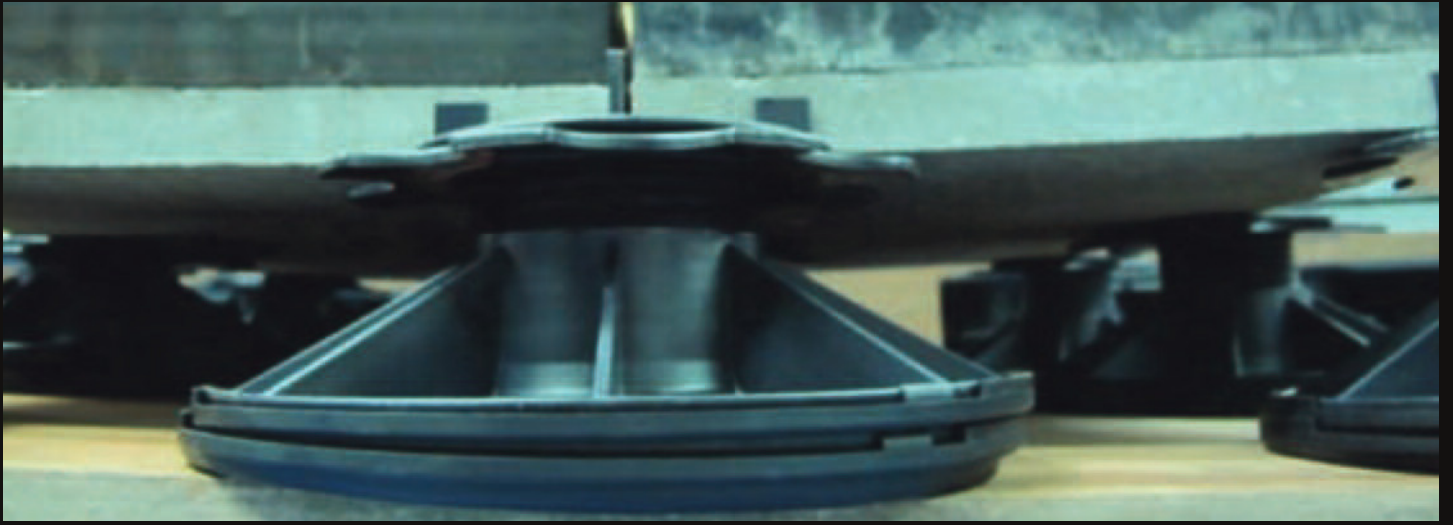
PV5/9+C3/4T

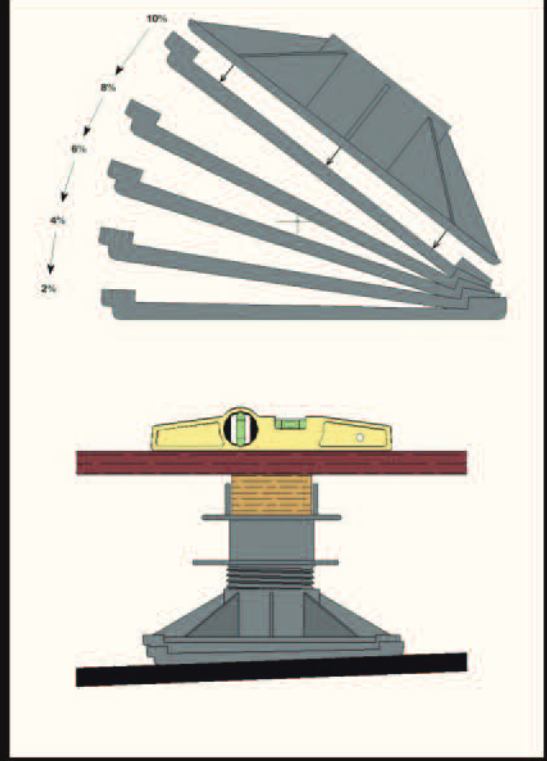
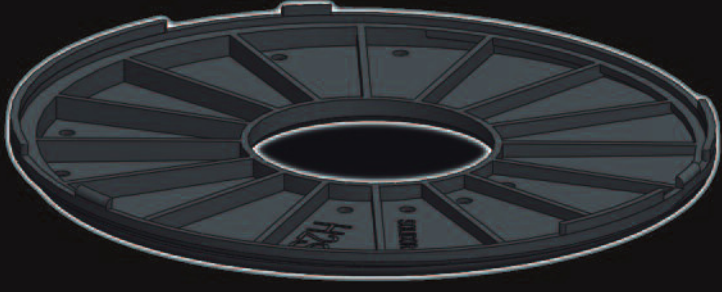


PV15/19+C3/4T



PV9/13+C3/4T







C3/4T



CN2/4T



CP+



C0





F35



AF100



Fitting pieces
1, 2, 3, 4 or 5 mm





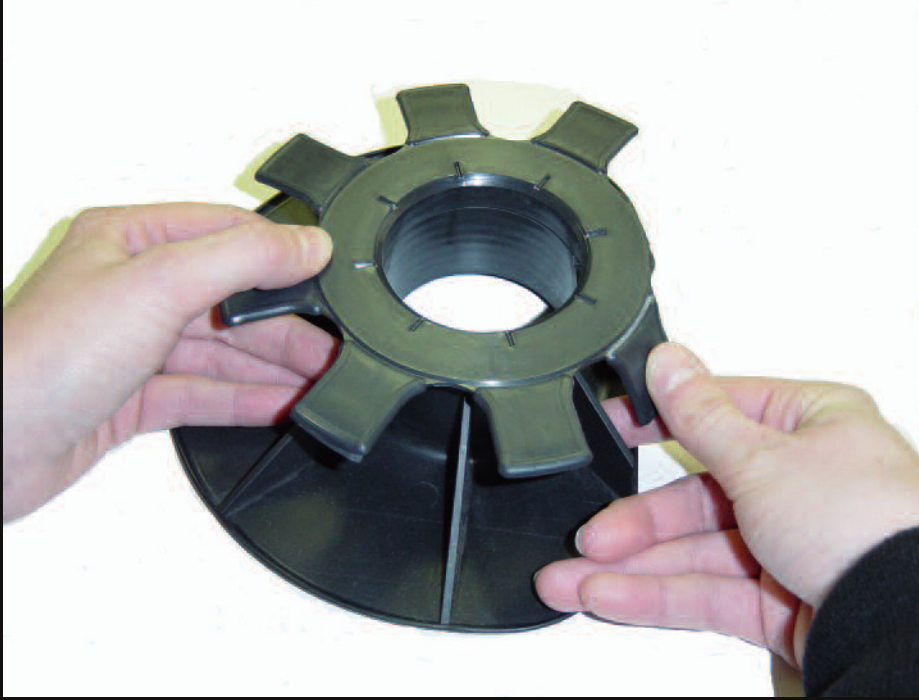
I-SO-PLOT
(pedestal with protection mat)



Available on the PV5/9, PV9/13, PV11/15 and PV15/19.



AK 5/9



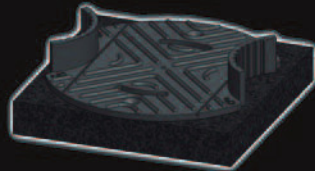




RC10+CIP72



RC14+CIP72



RC19+CP+

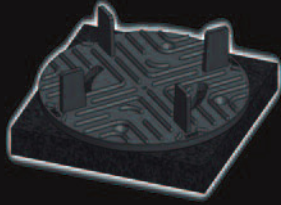


RC24+CP+





RC10+CI3/4T



RC14+CI3/4T

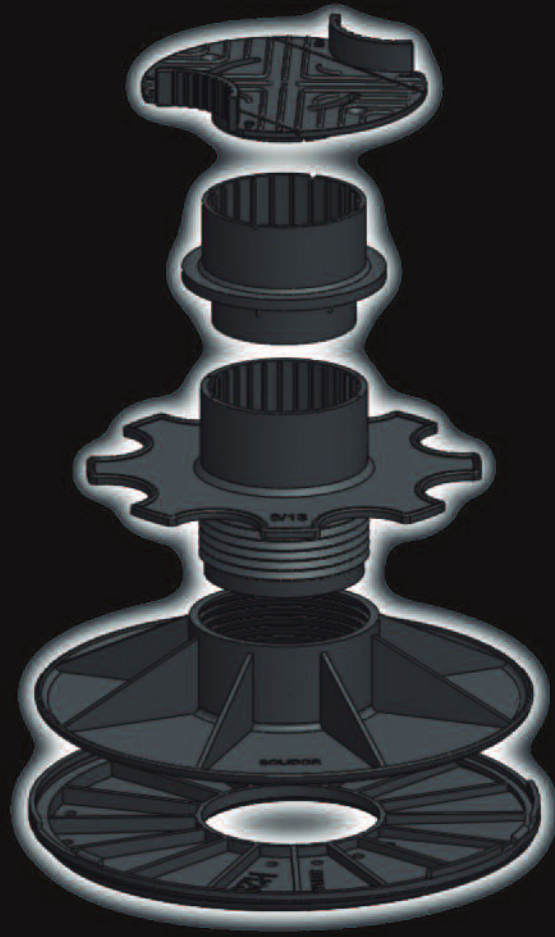


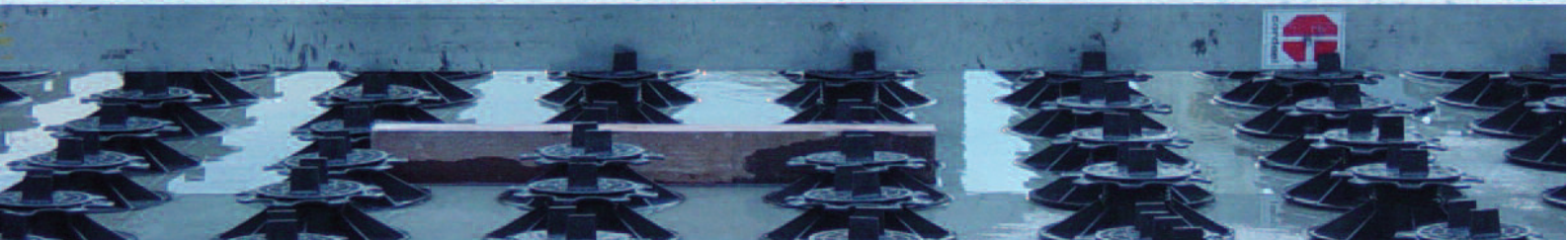
RC19+C3/4T



RC24+C3/4T







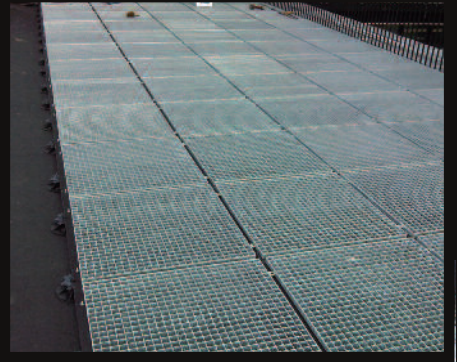
CHARACTERISTICS:

- MATERIAL : POLYPROPYLENE COMPOUND
 - WEATHER RESISTANCE : AGAINST ALL WEATHER CONDITIONS
 - BLOCKING SYSTEM : ONCE SET TO THE DESIRED HEIGHT, THE FIXATION OF THE SUPPORT IS ENSURED BY THE MUTUAL BLOCKING OF THE PARTS
- STATIC PRESSURE : ADJUSTABLE SUPPORTS BETWEEN 1 AND 19 CM
 EVERY 600 MM IN LENGTH/WIDTH – 1.350 KG/M²
 EVERY 500 MM IN LENGTH/WIDTH – 2.400 KG/M²
 EVERY 400 MM IN LENGTH/WIDTH – 3.750 KG/M²
- GROUND PLATE SURFACE : 300 CM²
 - JOINT WIDTH BETWEEN TILES : 3 MM



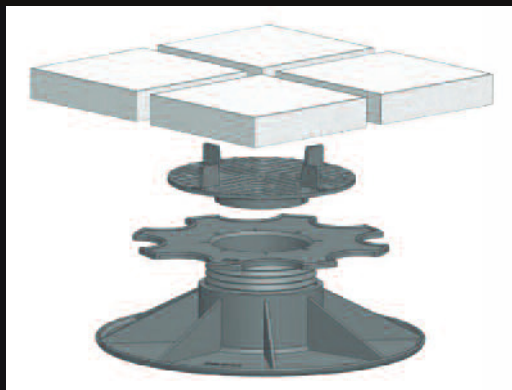
GOOD TO KNOW

- distance = in general, the distance between the supports is ± 40 to 50 cm
- quantity = in average 6 to 7 pieces per m²
- height = for a fine adjustment of the height, we use fitting pieces of 1,2,3,4 or 5 mm.



CHARACTERISTICS:

- MATERIAL : POLYPROPYLENE COMPOUND
- WEATHER RESISTANCE : AGAINST ALL WEATHER CONDITIONS
- BLOCKING SYSTEM : ONCE SET TO THE DESIRED HEIGHT, THE FIXATION OF THE SUPPORT IS ENSURED BY THE MUTUAL BLOCKING OF THE PARTS.
- STATIC PRESSURE : ADJUSTABLE SUPPORTS BETWEEN 1 AND 19 CM
 - 600X600MM (2,25 PCS/M²) – 1.350 KG/M²
 - 500X500MM (4 PCS/M²) – 2.400 KG/M²
 - 400X400MM (6,25 PCS/M²) – 3.750 KG/M²
- GROUND PLATE SURFACE : 300 CM²
- JOINT WIDTH BETWEEN TILES : 3 MM



GOOD TO KNOW

- upper plate = C3/4T
- installation = against the wall, the 2 upper tabs that are parallel to the wall must be pinched off so that the support can be put against the wall.
= in a corner, the 4 upper tabs must be pinched off.
- quantity = to determine the quantity :
 - a) approximate calculation = number of tiles + 15 to 25%
 - b) precise calculation = multiply the number of tiles in the length + 1 by the number of tiles in the width + 1.
- stability of tiles on the side: change eventually a row of tiles cut in half with a row of full tiles.



SOLASTICK

